

# GEOSTAR G5 and GEOSTAR G7 – Faster, lighter, smarter

**Wedge welding redefined:** Leister's new GEOSTAR welders change the civil engineering landscape. This mid-size, lightweight welder boasts a robust, cast aluminum frame for quality welding of geomembranes. The GEOSTAR also features a unique digital display with all key weld parameters: heat, speed, pressure and supply voltage. The new design makes field servicing a cinch—wedge can be removed and replaced in under a minute. Additional features

Wedge welders

## GEOSTAR G5/G7



**1 Maintenance friendly:**  
The well-thought-out construction enables easy access to mechanical parts for cleaning or service.



**2 eDrive:**  
Integrated display of weld pressure, travel speed, wedge temperature and supply voltage enables constant monitoring of key weld parameters during the work process.



**3 Ergonomic:**  
The newly developed clamping mechanism enables simple, one-hand operation to engage rollers and begin welding.



**4 Shifting gears:**  
The GEOSTAR is equipped with a two-gear transmission that can be modified in accordance with work conditions in just a few steps.



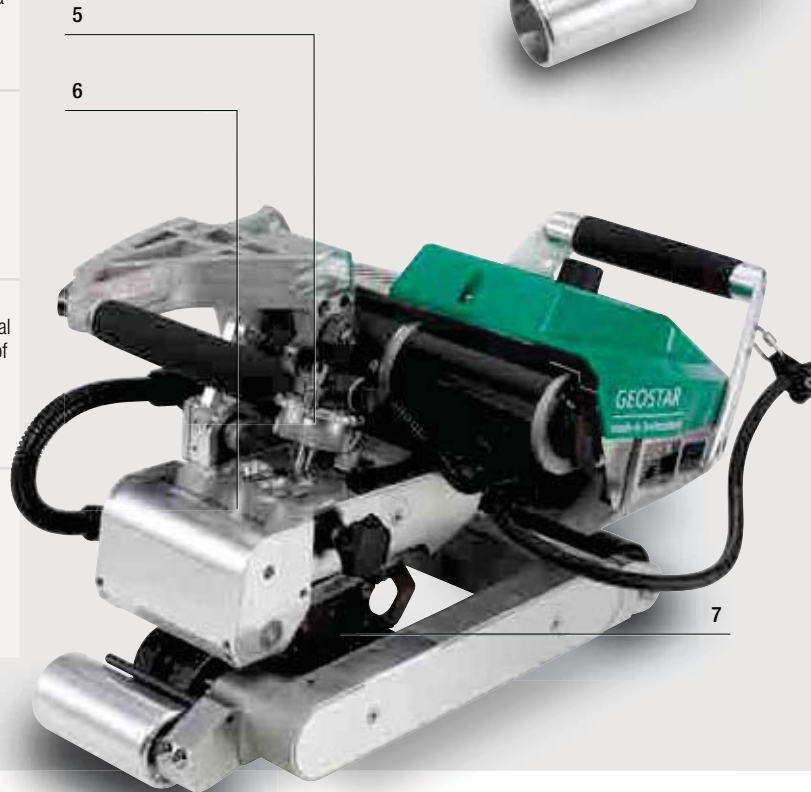
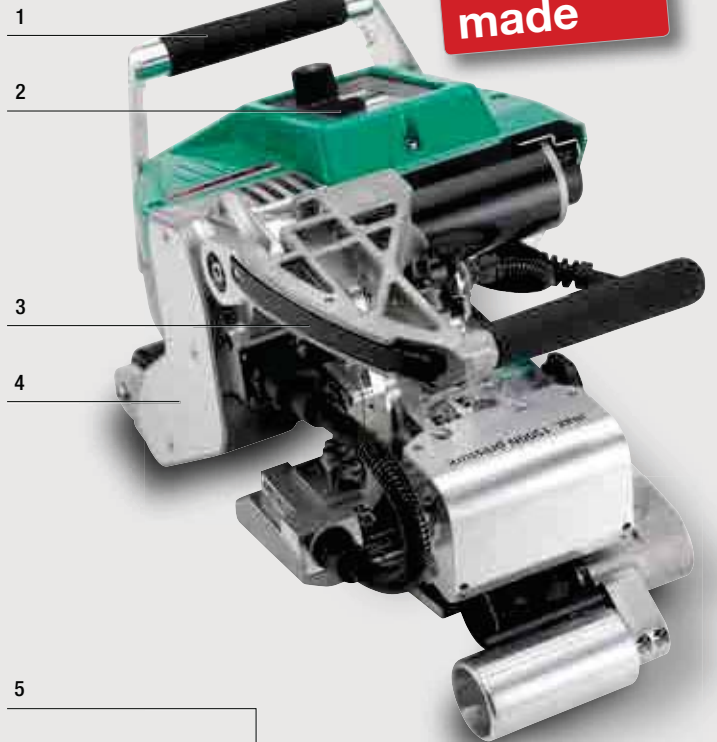
**5 Weld pressure measurement:**  
Constant measurement and display of weld pressure.



**6 Spacious:**  
Plenty of room for easy loading of material into the machine to accelerate the start of the welding process.



**7 The new wedge geometry:**  
The new geometry supports the natural flow of geomembranes over the wedge. An intelligent interface makes it possible to replace the wedge in less than one minute!



include: easy loading of material, natural flow of material through the machine and innovative handle ergonomics for easy carry and rest positions. The GEOSTAR is available in two performance classes: the standard GEOSTAR G5 and extended-wedge GEOSTAR G7.



The GEOSTAR easily welds 240 m without difficulty in a single pass during a field test (South Africa)..

## Wedge welders

### GEOSTAR G5/G7

- Welding speed up to 12 m/min
- At 16.4 kg (G5) and 17.7 kg (G7) ~20-50% lighter than comparable machines
- High heating capacity / heating power
- Digital display of weld pressure
- Wedge replacement in less than one minute
- Integrated voltage display
- Adjustable chassis height

Technical data		GEOSTAR G5	GEOSTAR G7
Voltage	V~	120	220-240
Frequency	Hz	50/60	50/60
Power	W	1800	2800
Max. heating temperature	°C	460	460
Welding wedge	mm	90 x 50	130 x 50
Max. overlap	mm	150	150
Max. welding force	N	1500	1500
Weld width with test channel	mm	2 x 15 mm	2 x 15 mm
Drive speed*1	m/min	0.8–12 Level 1: 0.8–6 Level 2: 1.5–12	0.8–12 Level 1: 0.8–7 Level 2: 1.5–12
Dimensions (L x W x H)	mm	482 x 278 x 269	482 x 278 x 269
Weight	kg	16.4	17.7
Materials		HD-PE 0.8–3.0 mm PP, LD-PE, TPO, FPO, PVC-P*2, CSPE*2, EIA*2 additional materials upon request	HD-PE 1.0–3.0 mm PP, LD-PE, TPO, FPO
Mark of conformity		CE	
Protection Class I		⊕	

\*1: Conversion of gear 1–2 using position change of sprocket wheels

\*2: Requires steel wedge

Scope of delivery: Automatic welder, transport box, 3 pcs. hexagon socket wrenches, cleaning brush, Operating Instructions

#### Article No.

- 151.035 GEOSTAR G7, 230V / 2800W, Roller width 50 mm, copper wedge with test channel, with Euro plug
- 151.683 GEOSTAR G5, 230V / 2800W, Roller width 50 mm, copper wedge with test channel, with Euro plug
- 151.618 GEOSTAR G5, 120V / 1800W, Roller width 50 mm, copper wedge with test channel, without plug

### Accessories GEOSTAR G5/G7

	<b>148.489</b>	Wedge Kit GEOSTAR G7, 130 x 50 mm, 230V/2500W, copper wedge with test channel
	<b>151.684</b>	Wedge Kit GEOSTAR G5, 90 x 50 mm, 230V/2500W, copper wedge with test channel
	<b>153.557</b>	stainless steel wedge with test channel
	<b>149.174</b>	Wedge-Kit GEOSTAR G5, 90 x 50 mm 120V/1600W, copper wedge with test channel
	<b>153.560</b>	stainless steel wedge with test channel
		Other wedges on request
	<b>153.361</b>	Drive roll D50 mm x 50 (75) mm; Traction Step, Steel, pointed knurled, with test channel
	<b>153.338</b>	Drive roll D50 mm x 50 mm;
	<b>153.359</b>	Steel, sharp edge knurled, with test channel
	<b>153.359</b>	Steel, blunt edge knurled, with test channel
		Other rollers on request
	<b>151.847</b>	Brass brush