

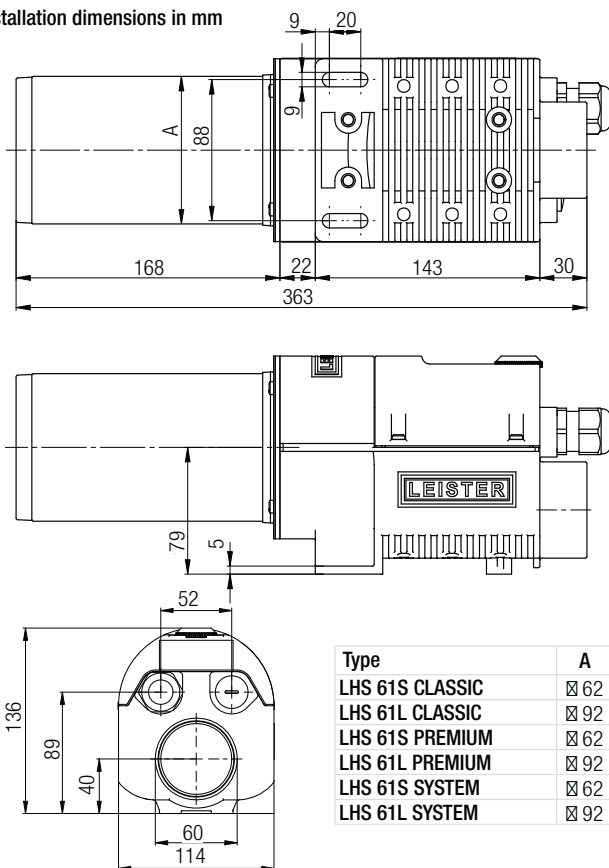
# LHS 61: The large powerful models.

The LHS 61 series is your choice for high performance applications. The outlet diameter of 62 mm for LHS 61S versions and 92 mm for LHS 61L versions allow high air flows with up to 16 kW heating power.

## Air heater LHS 61



Installation dimensions in mm



### Combination possibilities

- Leister air heater at maximum heat power and without nozzle with Leister blower at 50 Hz, 1.5 m hose length and unimpeded air outflow.
- Hot-air temperature 3 mm after air outlet, measured at the hottest point.
- Air flow at 0°C, 101.3 kPa compliant with DIN 1343.

Power Typ	Number LHS 61S x power cons. kW	LHS 61S x Air flow l/min.	LHS 61S Temperature °C
ROBUST	2 × 4.0	2 × 500	490
ROBUST	1 × 6.0	1 × 910	410
SILENCE	2 × 4.0	2 × 620	380
SILENCE	1 × 6.0	1 × 690	500
SILENCE	2 × 4.0	2 × 620	380
SILENCE	2 × 6.0	2 × 590	510
ASO	2 × 4.0	2 × 830	310
ASO	2 × 6.0	2 × 743	430
ASO	4 × 6.0	4 × 667	470
AIRPACK	1 × 4.0	1 × 3080	120
AIRPACK	2 × 4.0	2 × 1730	170
AIRPACK	4 × 4.0	4 × 960	280
AIRPACK	1 × 6.0	1 × 2950	160
AIRPACK	2 × 6.0	2 × 1700	240
AIRPACK	4 × 6.0	4 × 970	390

Power Typ	Number LHS 61L x power cons. kW	LHS 61L x Air flow l/min.	LHS 61L Temperature °C
ROBUST	1 × 8.0	1 × 1038	500
SILENCE	2 × 8.0	2 × 1029	440
SILENCE	1 × 11.0	1 × 1220	480
SILENCE	2 × 11.0	2 × 980	560
AIRPACK	1 × 8.0	1 × 3433	190
AIRPACK	2 × 8.0	2 × 2313	310
AIRPACK	4 × 8.0	4 × 979	510
AIRPACK	1 × 11.0	1 × 3380	230
AIRPACK	2 × 11.0	2 × 1840	380
AIRPACK	4 × 11.0	4 × 1010	590
AIRPACK	1 × 16.0	1 × 3450	360
AIRPACK	2 × 16.0	2 × 1930	550
ASO	1 × 11.0	1 × 1600	390
ASO	2 × 11.0	2 × 1480	420
ASO	4 × 11.0	4 × 1160	520
ASO	1 × 16.0	1 × 1500	610

Air flow and temperature values may deviate from those above based on the design of the entire hot-air system (including nozzles, air hoses, environmental conditions).

Three LHS 61S air heaters with wide slot nozzles in a wrapping line.



**Air heater**

**LHS 61 CLASSIC**



Heating power not adjustable

Detection of heating element and device overheating with alarm output

**Air heater**

**LHS 61 PREMIUM**



Heating power steplessly adjustable with potentiometer

Protection against heating element and device overheating with alarm output

**Air heater**

**LHS 61 SYSTEM**



Heating power or temperature steplessly adjustable with potentiometer or remote control interface

Protection against heating element and device overheating with alarm output

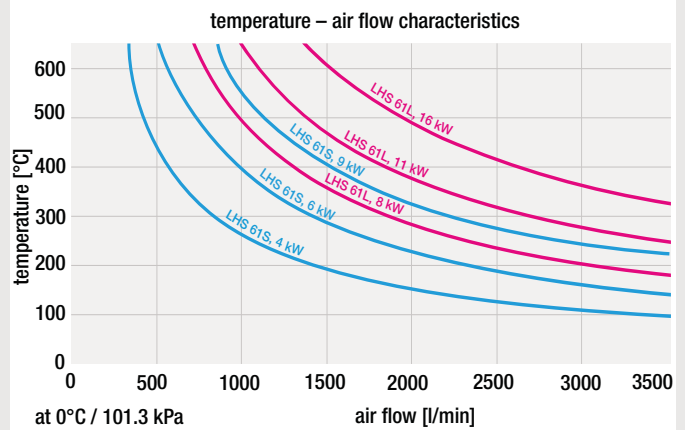
Remote control interface for external temperature controllers (Leister CSS, or PLCs)

Air Heaters  
Controllers

**Technical data**  
**LHS 61S / 61 L**

Max. air outlet temperature	°C	650
Max. air inlet temperature	°C	65
Max. ambient temperature	°C	65
Min. airflow		As per diagram
Max. inlet pressure	kPa	100
Weight 61S / 61L	kg	3.15 / 3.65

Conformity mark	CE
Approval mark	Ⓢ
Protection class I	Ⓛ



61L		3 x 230		3 x 400		3 x 480	
Voltage	V ~	3 x 230		3 x 400		3 x 480	
Power cons.	kW	8	10	5	8	8	
<b>CLASSIC</b>	Order no.	143.710	143.489	143.711	143.712	143.713	
<b>PREMIUM</b>	Order no.	143.718	143.719	143.720	143.721	143.723	
<b>SYSTEM</b>	Order no.	143.732	143.733	143.734	143.735	143.736	
Voltage		3 x 400		3 x 480			
Power cons.		11		16		11 16	
<b>CLASSIC</b>	Order no.	143.699 143.488		143.700 143.487			
<b>PREMIUM</b>	Order no.	143.722 143.485		143.724 143.486			
<b>SYSTEM</b>	Order no.	142.568 143.478		143.737 143.479			

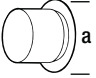

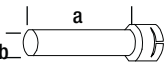
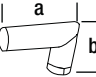
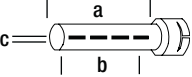
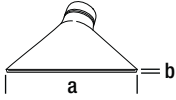
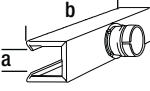
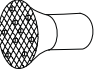



61S		3 x 230		1 x 400	3 x 400	
Voltage	V ~	3 x 230		1 x 400	3 x 400	
Power cons.	kW	4	6	8	8.5	4 6 9
<b>CLASSIC</b>	Order no.	143.707	143.696	142.839	145.732	143.708 143.490 143.697
<b>PREMIUM</b>	Order no.	143.714	143.484		145.442	143.715 143.481 143.716
<b>SYSTEM</b>	Order no.	143.726	143.727		145.734	143.728 142.496 143.729
Voltage		1 x 480	3 x 480			
Power cons.		8	4	6		
<b>CLASSIC</b>	Order no.	145.730	143.709	143.698		
<b>PREMIUM</b>	Order no.	145.439	143.717	143.483		
<b>SYSTEM</b>	Order no.	145.733	143.730	143.731		

Accessories 42 / 43

Utilizing precisely controlled hot-air to shrink PE sleeves on cans.



## Accessories LHS 61L (Ø 92 mm)

	<b>125.318</b> Flange connector, push-fit a = 120 mm
	<b>107.244</b> Round nozzle, push-fit d = 50 mm
	<b>107.273</b> Extension nozzle, push-fit (a × b) 500 × 60 mm
	<b>107.269</b> Angled nozzle, push-fit (a × b) shank length 175 × 175 mm
	Tubular nozzle, push-fit (a × b × c) <b>106.031</b> 1000 × 800 × 2 mm <b>106.035</b> 1185 × 900 × 1.6 mm <b>107.268</b> 1288 × 1000 × 1.5 mm <b>106.036</b> 1535 × 1250 × 1.2 mm <b>106.033</b> 1550 × 1350 × 1.1 mm <b>106.038</b> 2225 × 2000 × 0.8 mm
	Wide slot nozzle, push-fit (a × b) <b>107.274</b> 130 × 17 mm <b>106.028</b> 220 × 12 mm <b>107.272</b> 300 × 12 mm <b>106.018</b> 400 × 10 mm <b>106.024</b> 500 × 7 mm <b>107.267</b> 500 × 15 mm <b>106.023</b> 600 × 4 mm <b>106.026</b> 600 × 9 mm
	<b>107.341</b> Shell reflector, push-fit (a × b) 160 × 370 mm
	<b>107.276</b> Sieve reflector "Douche", push-fit Ø 260 mm
	<b>133.517 *</b> Thermocouple holder
	<b>144.039 *</b> Compressed air connection
	<b>149.629</b> Protection tube adapter for LHS 61L

\* = Only for LHS 61L